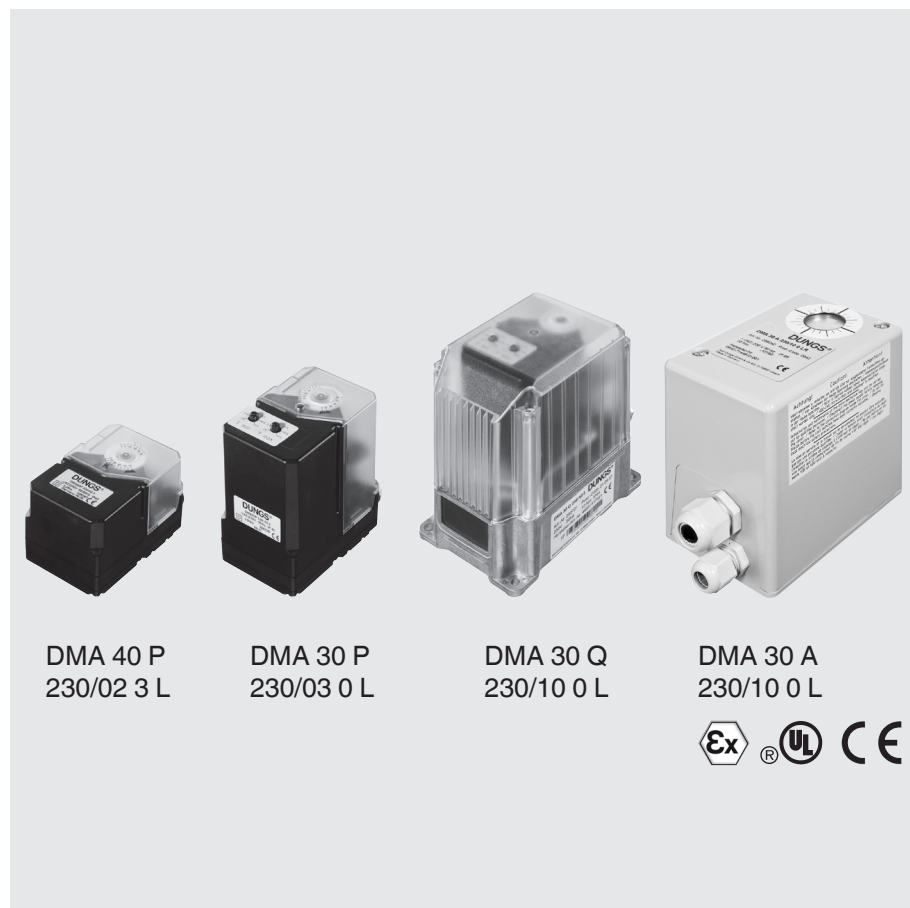


DMA Actuator drives for

- Motorised Butterfly Valve DMK
- Motorised throttle DML

11.20

DUNGS[®]
Combustion Controls



Technical description

Various actuator drives are available for the Dungs DMK motorised butterfly valves and DML motorised throttle:

- Actuators with cams
- Electronic actuators with analog output signal

The DMA...P/Q/A actuator is distinguished by:

- continuously adjustable cams
- a mechanical position indicator readable from the outside
- a freely selectable mounting position
- maintenance-free operation
- switchover between Automatic and Manual (option)
- position feedback (option)




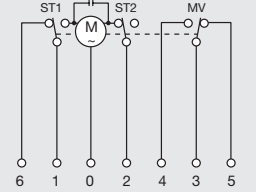
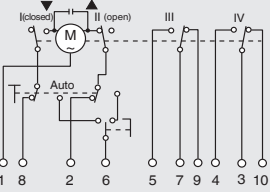
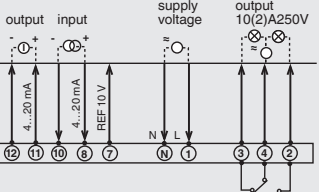
The selection of the actuator drive depends on the type of application.

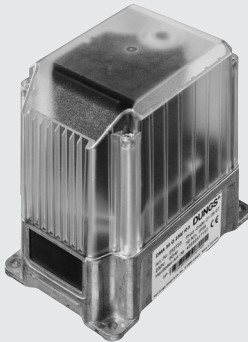

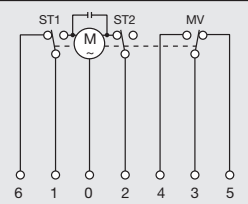
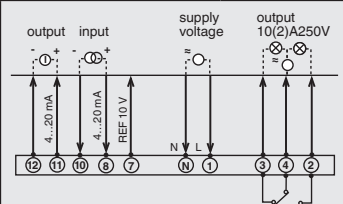
Application


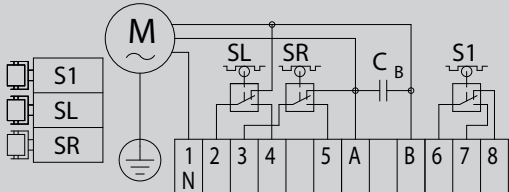
The actuator drives, which guarantee a precise rotation between 0 and 90 °C, are used in combination with the DUNGS DMK motorised butterfly valve and DML motorised throttle to control the gas supply or the air supply to gas-burning appliances e.g. gas burners.

Approvals


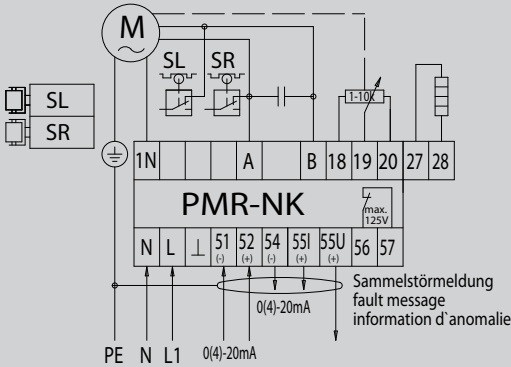
The actuator drives comply with the basic requirements of the EMC and low-voltage guideline.

Actuator drives Technical data			
Type	DMA 40 P 230/02 3 L	DMA 40 P 230/02 4 L	DMA 30 P 230/03 0 L
Order No.	226 240	238 810	226 239
Operating time for 90 °	40 s	40 s	30 s
Switch-on duration ED Motor/relay	25 % / 100 %	25 % / 100 %	25 % / 100 %
Voltage/frequency	~(AC) 230 V 50 Hz	~(AC) 230 V 50 Hz	~(AC) 230 V 50 Hz
Ambient temperature	0 °C to 60 °C	0 °C to 60 °C	0 °C to 60 °C
Weight	approx. 0.4 kg	approx. 0.5 kg	approx. 0.5 kg
Power consumption	max. 3 VA	max. 3 VA	max. 3 VA
Operating mode	automatic	automatic / manual	automatic / manual
Rotation angle adjustment	3 cams	4 cams	3 cams Potentiometer
Function, colours - min. - max. - potential-free, travelling	yellow red blue	yellow red 2 x blue	red yellow yellow y _{min.} y _{max.} -
Adjustment by	Lever	Lever	Lever Adjustment screw
Potentiometer	-	optionally retrofittable	yes
Control	~(AC) 230 V 50 Hz	~(AC) 230 V 50 Hz	4 to 20 mA
Output	-	-	4 to 20 mA
Separate power output	-	-	10 V
Direction of rotation of the shaft closed → open	left	left	left
Cable entry	1 x PG9	1 x PG9	2 x PG9
Nominal torque	200 Ncm	200 Ncm	300 Ncm
Static holding torque	200 Ncm	200 Ncm	200 Ncm
Permissible lateral force on the shaft	max. 60 N	max. 60 N	max. 60 N
Shaft diameter	8 _{h8} mm	8 _{h8} mm	8 _{h8} mm
Shaft flat area	1 x 16 mm	1 x 16 mm	1 x 16 mm
Degree of protection (DIN 40050)	IP 40	IP 40	IP 40
Protection class EN 50178	2	2	2
Diagram			

Actuator drives Technical data			
	Type	DMA 30 Q 230/10 3 L	DMA 30 Q 230/10 0 L
Order No.	252 723	252 721	
Operating time for 90 °	30 s	30 s	
Switch-on duration ED Motor/relay	25 % / 100 %	25 % / 100 %	
Voltage/frequency	~(AC) 230 V 50 Hz	~(AC) 230 V 50 Hz	
Ambient temperature	0 °C to 60 °C	0 °C to 60 °C	
Weight	approx. 1.6 kg	approx. 1.7 kg	
Power consumption	max. 3 VA	max. 3 VA	
Operating mode	automatic	automatic / manual	
Rotation angle adjustment	3 cams	3 cams	Potentiometer
Function, colours - min. - max. - potential-free, travelling	yellow red blue	red yellow yellow	y _{min.} y _{max.} -
Adjustment by	Lever	Lever	Adjustment screw
Potentiometer	-	yes	
Control	~(AC) 230 V 50 Hz	4 to 20 mA	
Output	-	4 to 20 mA	
Separate power output	-	10 V	
Direction of rotation of the shaft closed → open	left	left	
Cable entry	1 x M16 x 1,5 mm	2 x M16 x 1,5 mm	
Nominal torque	1000 Ncm	1000 Ncm	
Static holding torque	500 Ncm	500 Ncm	
Permissible lateral force on the shaft	max. 100 N	max. 100 N	
Shaft diameter	10 _{h8} mm	10 _{h8} mm	
Shaft flat area	1,5 x 22 mm	1,5 x 22 mm	
Degree of protection (DIN 40050)	IP 54	IP 54	
Protection class EN 50178	1	1	
Diagram			

Actuator drives Technical data			
Type	DMA 30 A 230/10 3 LR	DMA 30 A 115/10 3 LR	DMA 30 A 24/10 3 LR
Order No.	255 039	255 041	255 482
Operating time for 90 °	30 s (25 s*)	30 s (25 s*)	30 s (± 10 % as a function of load)
Switch-on duration ED Motor/relay	100 % / 100 %	100 % / 100 %	100 % / 100 %
Voltage/frequency	~(AC) 230 V 50 (60) Hz	~(AC) 115 V 50 (60) Hz	=(DC) 24 V
Ambient temperature	-15 °C to 60 °C	-15 °C to 60 °C	-15 °C to 60 °C
Weight	2.3 kg	2.3 kg	2.3 kg
Power consumption	max. 7 VA	max. 7 VA	5 W
Operating mode	automatic	automatic	automatic
Rotation angle adjustment	3 cams	3 cams	3 cams
Function	- min. - max. - potential-free, travelling	- min. - max. - potential-free, travelling	- min. - max. - potential-free, travelling
Adjustment by	Hand	Hand	Hand
Potentiometer	optionally retrofittable	optionally retrofittable	optionally retrofittable
Control	(AC) 230 V 50 (60) Hz	(AC) 115 V 50 (60) Hz	(DC) 24 V
Output	-	-	-
Separate power output	-	-	-
Direction of rotation of the shaft closed → open	left / right	left / right	left / right
Cable entry	1 x M20 x 1,5 / 1 x M16 x 1,5	1 x M20 x 1,5 / 1 x M16 x 1,5	1 x M20 x 1,5 / 1 x M16 x 1,5
Nominal torque	1000 Ncm	1000 Ncm	1000 Ncm
Static holding torque	1600 Ncm	1600 Ncm	1600 Ncm
Permissible lateral force on the shaft	max. 500 N	max. 500 N	max. 500 N
Shaft diameter	10 mm	10 mm	10 mm
Shaft flat area	2 x 25 mm	2 x 25 mm	2 x 25 mm
Degree of protection (DIN 40050)	IP 65	IP 65	IP 65
Protection class EN 50178	1	1	1
Approval	UL certified components	UL certified components	UL certified components
Diagram			

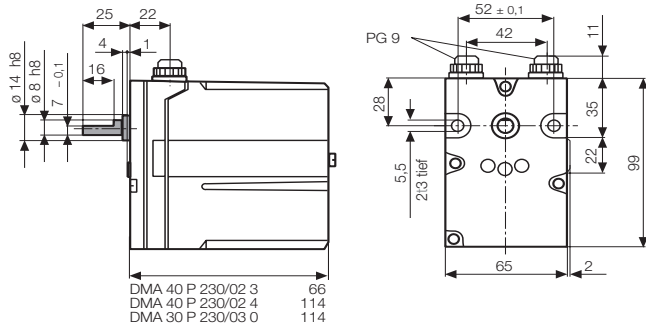
*) Runtime at 60 Hz

Actuator drives Technical data		
Type	DMA 30 A 230/10 0 LR	DMA 30 A 115/10 0 LR
Order No.	255 042	255 044
Operating time for 90 °	30 s (25 s*)	30 s (25 s*)
Switch-on duration ED Motor/relay	100 % / 100 %	100 % / 100 %
Voltage/frequency	~(AC) 230 V 50 (60) Hz	~(AC) 115 V 50 (60) Hz
Ambient temperature	-10 °C to 60 °C	-10 °C to 60 °C
Weight	2.5 kg	2.5 kg
Power consumption	max. 7 VA	max. 7 VA
Operating mode	automatic / manual	automatic / manual
Rotation angle adjustment	2 cams Potentiometer	2 cams Potentiometer
Function	Safety limit min. y _{min.} max. y _{max.}	Safety limit min. y _{min.} max. y _{max.}
Adjustment by	Hand Friction clutch	Hand Friction clutch
Potentiometer	yes	yes
Control	4 to 20 mA	4 to 20 mA
Output	4 to 20 mA	4 to 20 mA
Separate power output	no	no
Direction of rotation of the shaft closed → open	left / right	left / right
Cable entry	1 x M20 x 1,5 / 1 x M16 x 1,5	1 x M20 x 1,5 / 1 x M16 x 1,5
Nominal torque	1000 Ncm	1000 Ncm
Static holding torque	1600 Ncm	1600 Ncm
Permissible lateral force on the shaft	max. 500 N	max. 500 N
Shaft diameter	10 mm	10 mm
Shaft flat area	2 x 25 mm	1,5 x 22 mm
Degree of protection (DIN 40050)	IP 65	IP 65
Protection class EN 50178	1	1
Approval	UL certified components	UL certified components
Diagram		

*) Runtime at 60 Hz

Dimensions [mm]

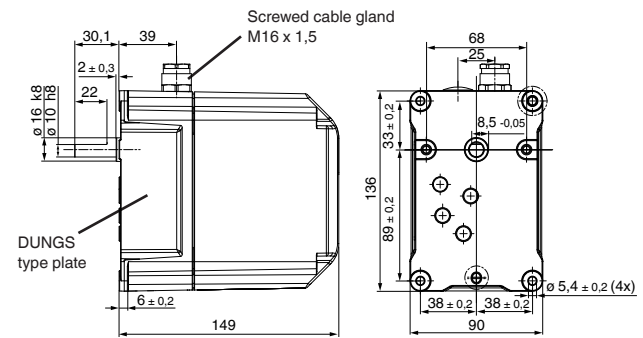
DMA...P



Installation: direct mounting to DMK...-P / DML by customer possible

Dimensions [mm]

DMA...Q



Installation: direct mounting to DMK...-Q by customer possible

Actuator drives Type	Degree of protection	Ø _{Shaft}	Comment	Order No.
DMA 40 P 230/02 3 L	IP 40	8		226 240
DMA 40 P 230/02 4 L	IP 40	8		238 810
DMA 30 P 230/03 0 L	IP 40	8		226 239
DMA 30 Q 230/10 3 L	IP 54	10		252 723
DMA 30 Q 230/10 0 L	IP 54	10		252 721

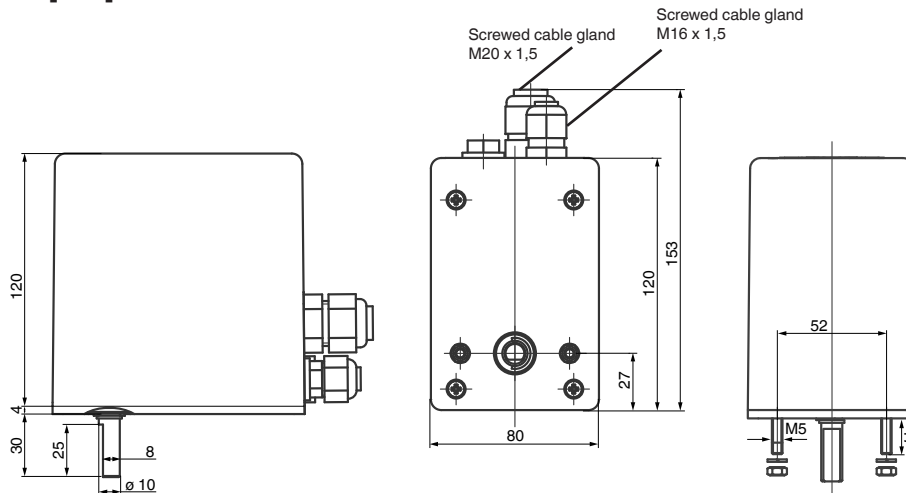
Please state the motorised flap when ordering!

Accessories	Order No.
Potentiometer retrofitting kit 1 kΩ	DMA 40 P 230/02 4 L 240 498

DMA Actuator drives for
- Motorised Butterfly Valve DMK
- Motorised Throttle DML

Dimensions [mm]

DMA...A



Installation: direct mounting to DMK...-Q by customer possible

Actuator drives Type	Degree of protection	Ø _{Welle}	Comment	Order No.
DMA 30 A 230/103LR	P 65	10		255 039
DMA 30 A 115/103LR	IP 65	10		255 041
DMA 30 A 24/103 LR	IP 65	10		255 482
DMA 30 A 230/100LR	IP 65	10		255 042
DMA 30 A 115/100LR	IP 65	10		255 044

Please state the motorised flap when ordering!

Accessories/Options				Order No.
Cam retrofit kit (2 Pieces)	P 65		DMA 30 A.../10 3	on request
Potentiometer retrofitting kit 1 kΩ	IP 65		DMA 30 A.../10 3	on request
Service switch for Manual/Automatic	IP 65		DMA 30 A.../10 3	on request
Model for -40°C of ambient temperature			DMA 30 A.../10 3	on request

We reserve the right to make any changes in the interest of technical progress.

Head Offices and Factory
 Karl Dungs GmbH & Co. KG
 Siemensstraße 6-10
 D-73660 Urbach, Germany
 Telephone +49 (0)7181-804-0
 Telefax +49 (0)7181-804-166

Postal address
 Karl Dungs GmbH & Co. KG
 Postfach 12 29
 D-73602 Schorndorf, Germany
 e-mail info@dungs.com
 Internet www.dungs.com

DMA Actuator drives for
- Motorised Butterfly Valve DMK
- Motorised Throttle DML

DUNGS[®]
Combustion Controls

We reserve the right to make any changes in the interest of technical progress.

Head Offices and Factory
Karl Dungs GmbH & Co. KG
Siemensstraße 6-10
D-73660 Urbach, Germany
Telephone +49 (0)7181-804-0
Telefax +49 (0)7181-804-166

Postal address
Karl Dungs GmbH & Co. KG
Postfach 12 29
D-73602 Schorndorf, Germany
e-mail info@dungs.com
Internet www.dungs.com